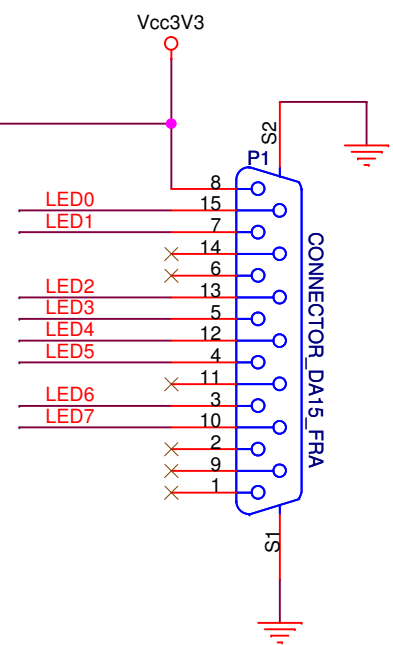


In order for LED to turn ON software must drive pin Voltage LOW. Software must write "0" to the pin.



Title		
LED Connect		
Size A	Document Number	Rev A
Date:	Monday, October 25, 2010	Sheet 1 of 1